



RAINWATER HARVESTING

ONE-WAY FLAP VALVES (ANTI-FLOODING)**One-way non-return valves for drainage systems**

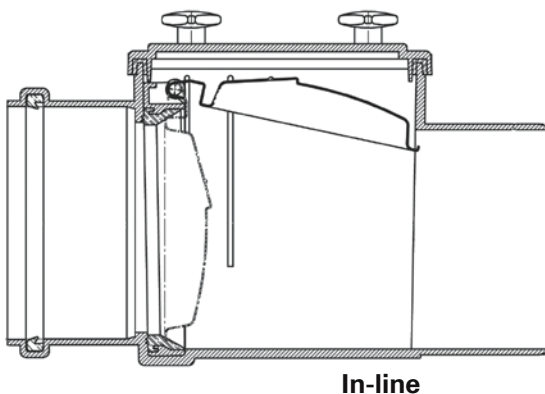
- **Effective backflow prevention for stormwater drains.**
- **Also acts as an effective vermin barrier.**
- **Robust ABS housing.**
- **Stainless steel flap valve and pivot.**
- **Integral inspection cover with wing nuts.**
- **Can be opened for maintenance without any need for tools.**
- **Available to suit 100mm, 150mm & 200mm drainage pipes, in-line or terminal.**
- **Ideal for use in domestic and commercial gravity rainwater systems where there is a risk of backflow from the storm drain.**

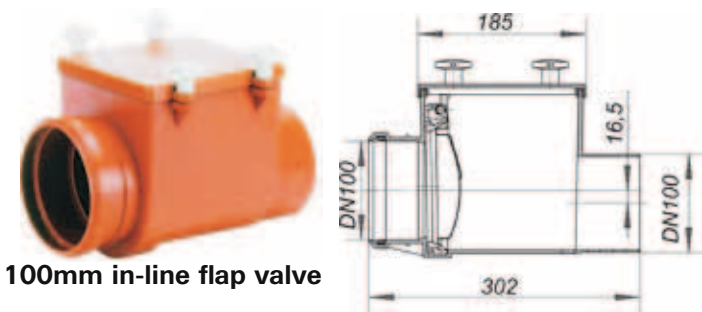


Flap valves give effective protection to rainwater installations which are situated below flood level.

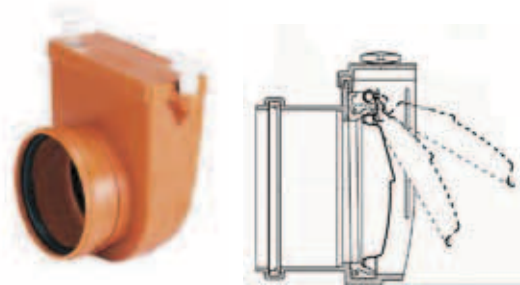
These are high quality units which incorporate a stainless steel flap that closes against an integral seal, thus allowing water to flow in only one direction. If water begins to flow in the opposite direction (backflow), then the flap is forced against the seal. This protects the rainwater tank or filter unit against contamination from drainage water and vermin.

Flap valves should always be used when the overflow from the rainwater system connects to a combined sewer, in order to protect the tank against contamination.





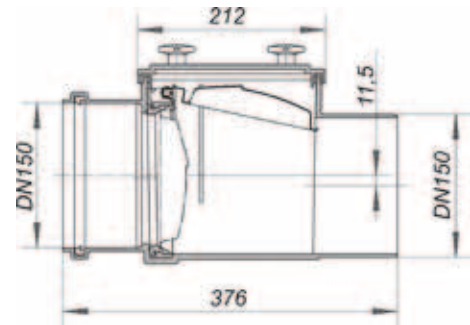
100mm in-line flap valve



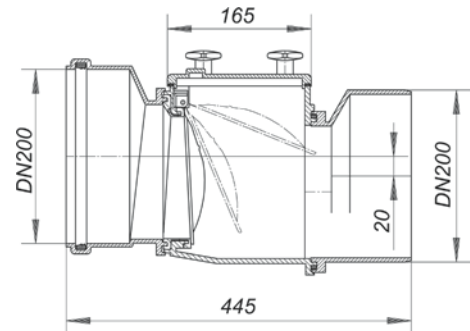
Terminal flap valve to fit to pipe end



150mm in-line flap valve



200mm in-line flap valve

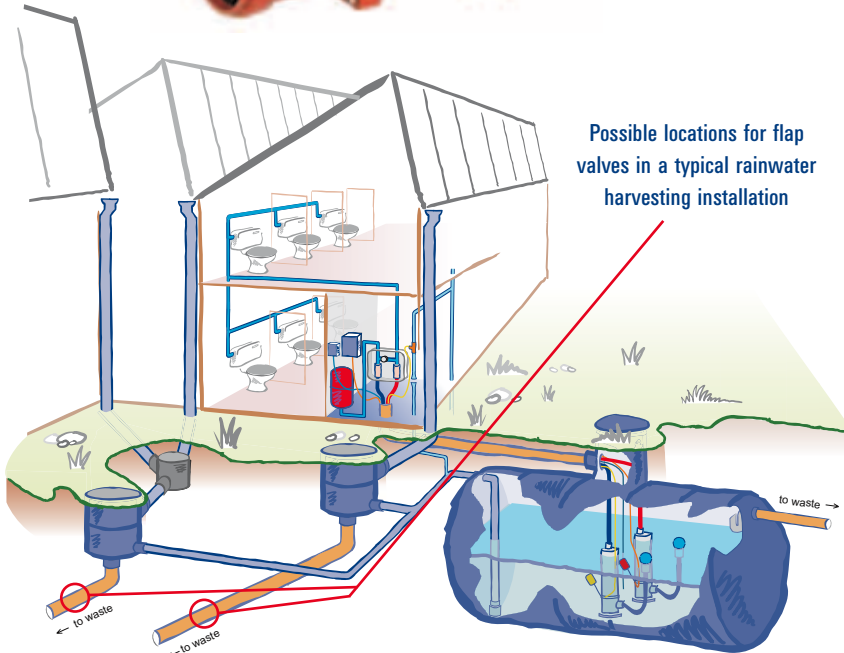


Designed for quick and easy installation.

These units fit standard UK pipes and are simple to fit. They are also easy to maintain and can be opened without tools.

Once installed, these valves must be accessible for cleaning purposes, so should be built into an access chamber.

Possible locations for flap valves in a typical rainwater harvesting installation



NB continuous development may necessitate change in these details without notice E&OE



Rainharvesting Systems Ltd.
 The Green Shop
 Cheltenham Road, Bisley,
 Stroud, Gloucestershire GL6 7BX
 Tel: 0845 223 5430
 Fax: 01452 772008
 E-mail: sales@rainharvesting.co.uk
 Website: www.rainharvesting.co.uk

RAINHARVESTING SYSTEMS