

PIPE FILTER

- Suitable for roof areas up to 350m²
- Can be used in existing pipe runs as the inlet and waste outlet are at the same level.
- Choice of bottom outlet or side outlet (90°, 180°, 270° or 360°).
- Filter element in 1.4301 stainless steel wedge-wire, with lifting handle.
- For in-ground or in-tank installation.
- Polyethylene construction with polypropylene cover.

The *Wilo* pipe filter is a self-contained unit suitable for roof areas up to 350m² and is designed to be installed within a horizontal pipe run. The filter element itself is in the form of a removable cylinder manufactured from stainless steel wedge wire with a 0.5mm mesh.

The unit can be used either directly in the ground or can be incorporated into or onto a storage tank. For use as an in-ground filter, an extension piece can be fitted to raise the cover to ground level.

The cover is pedestrian duty only, so if going into a trafficked area, we recommend the unit is fitted within a suitable chamber.



Wilo pipe filter showing stainless steel element

Housing & extension tube diameter:	400mm
Housing height:	320mm
Extension tube height:	750mm (can be cut)
Access cover:	400mm
Inlet connection:	125mm
Waste outlet connection:	125mm
Filtered outlet connection (side):	150mm
Filtered outlet connection (bottom):	100mm
Height difference inlet to filtered outlet:	150mm



Flexible System Design

Our comprehensive range of specialist items has been developed specifically for rainwater harvesting systems. Because the range consists of separate components, it has exceptional flexibility.

These items are suitable for almost any system design, whether you're planning a system for a small house, school or large industrial or commercial premises.

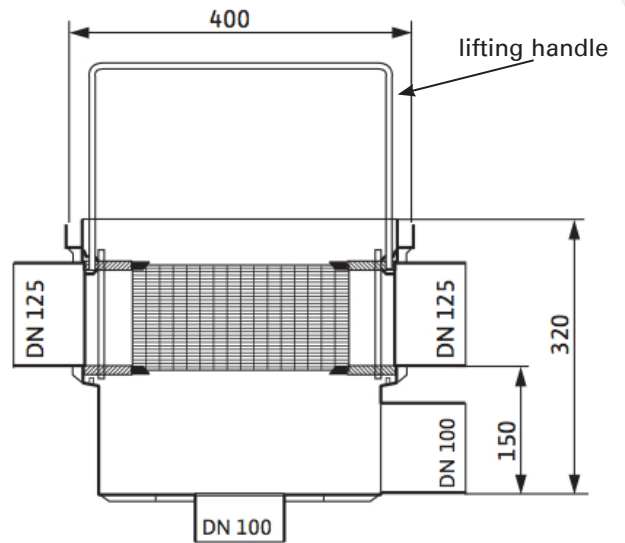


We are the UK's sole supplier of Wisy products for rainwater utilisation

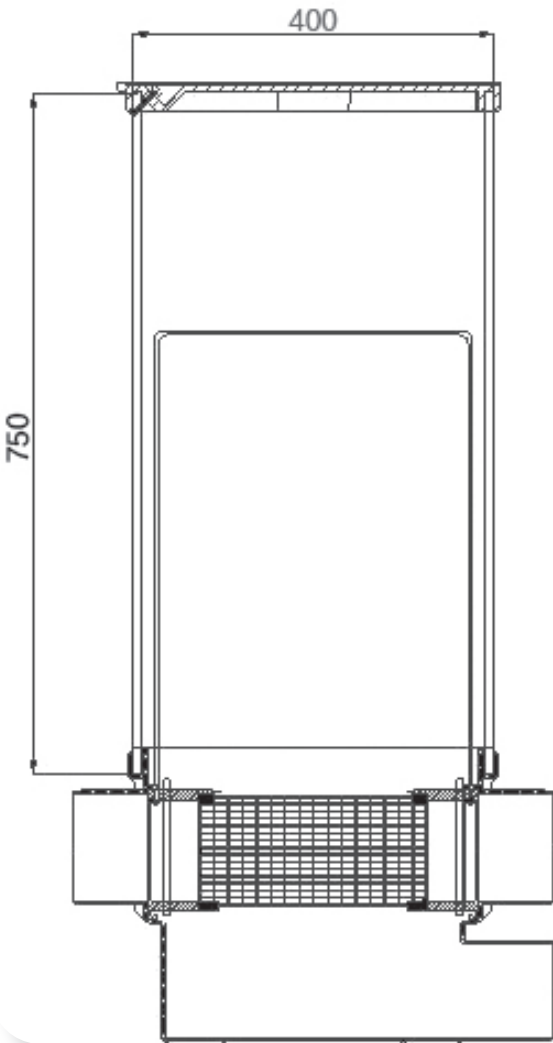
Pipe Filter dimensions

In order to raise the cover level to the finished ground level, an extension tube is available. This fits on to the top of the filter housing, and the polypropylene cover then fits on top of this.

The extension is 400mm \varnothing by 750mm overall height, and can easily be cut to reduce it to the required length.



Dimensions of the basic filter unit



Extension tube dimensions



Pipe filter unit with extension tube fitted



Distributor:

Rainharvesting Systems Ltd.

The Green Shop
Calf Way, Bisley,
Stroud, Gloucestershire GL6 7BX
Tel: 01452 772000
Fax: 01452 772008
E-mail: sales@rainharvesting.co.uk
Website: www.rainharvesting.co.uk

NB continuous development may necessitate change in these details without notice E&OE.

Data Sheet WI/13/01